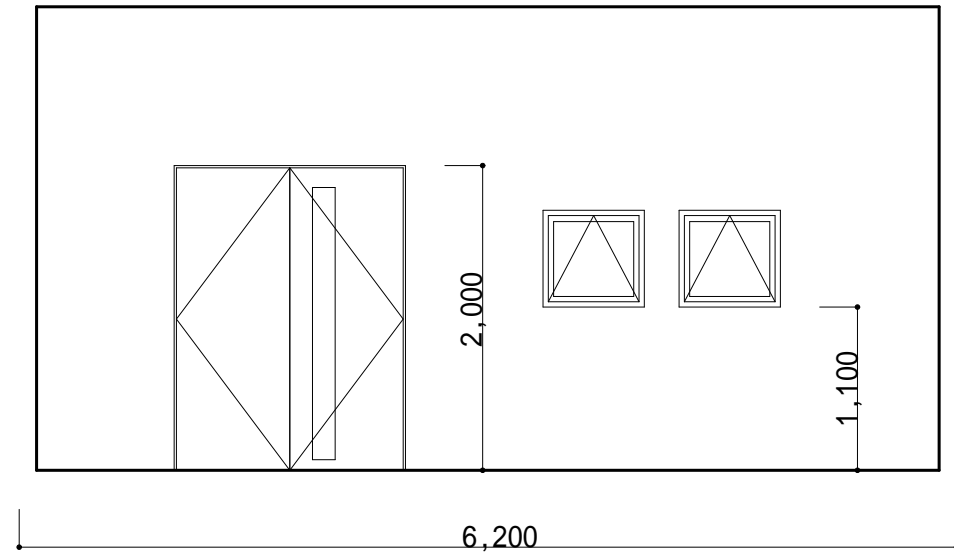
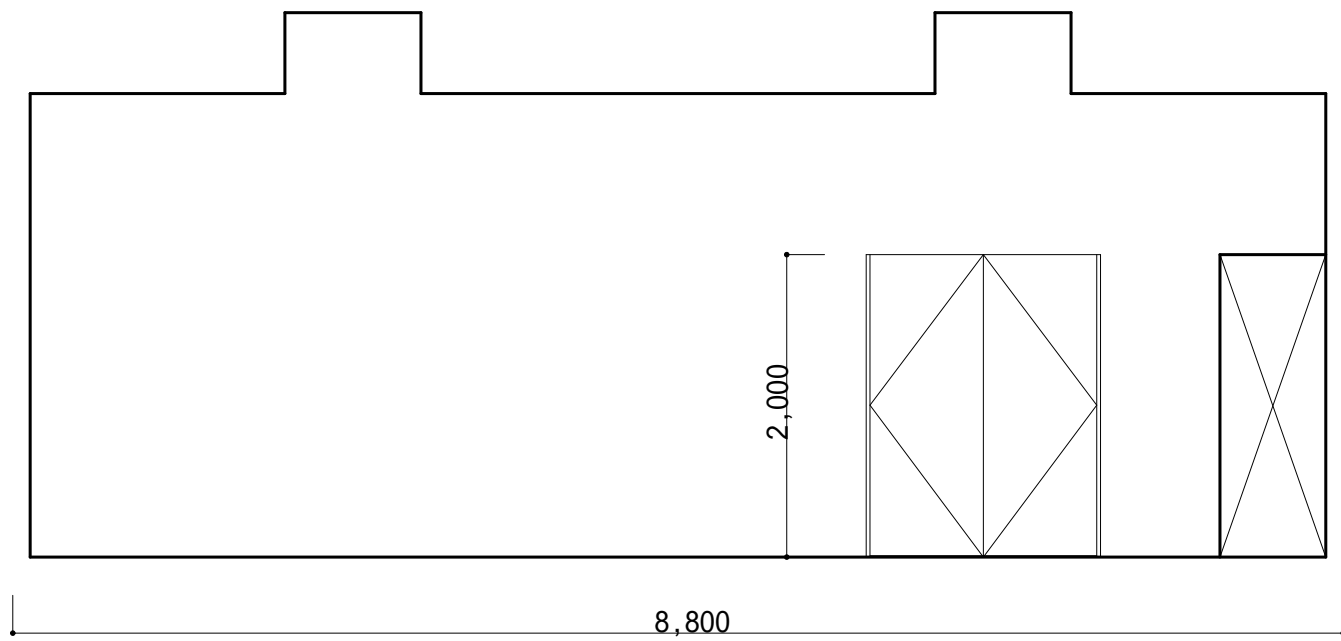


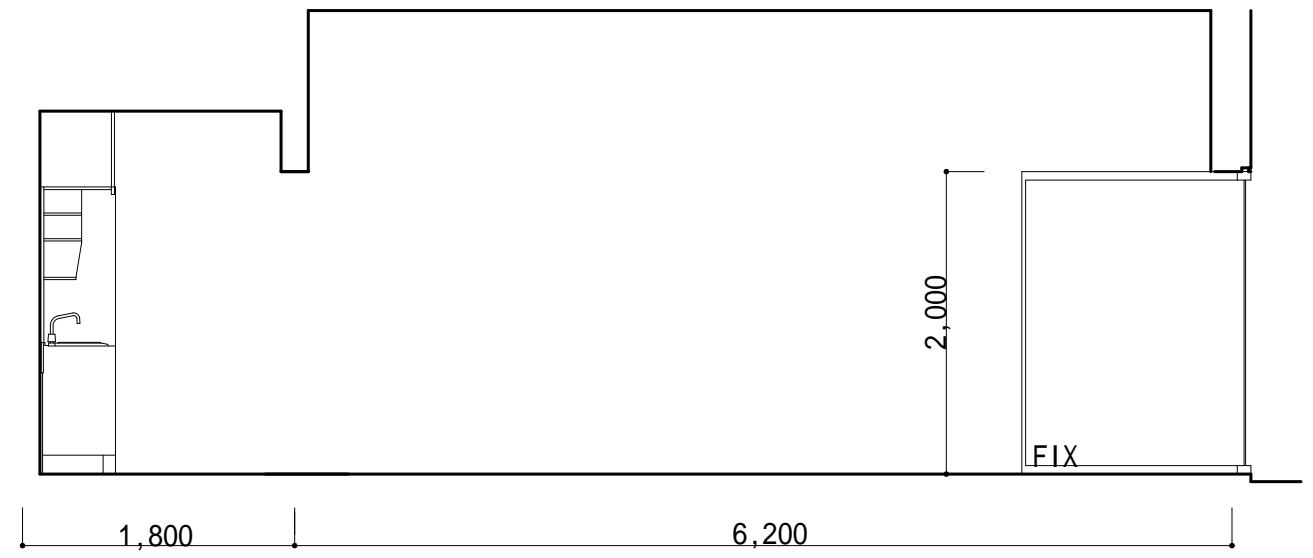
A



B



C



D

CUBE - B 1

S=1/60